



Project Name: _____

Part Number: _____ **Date:** _____

Features

- Dialog® digital programmable network switches
- 1, 2, 3, 4 & 8 button configurations
- Simple Dialog 2-wire connection
- LED status indicator
- Programmable via handheld infrared device



ASHRAE 90.1 Compliant

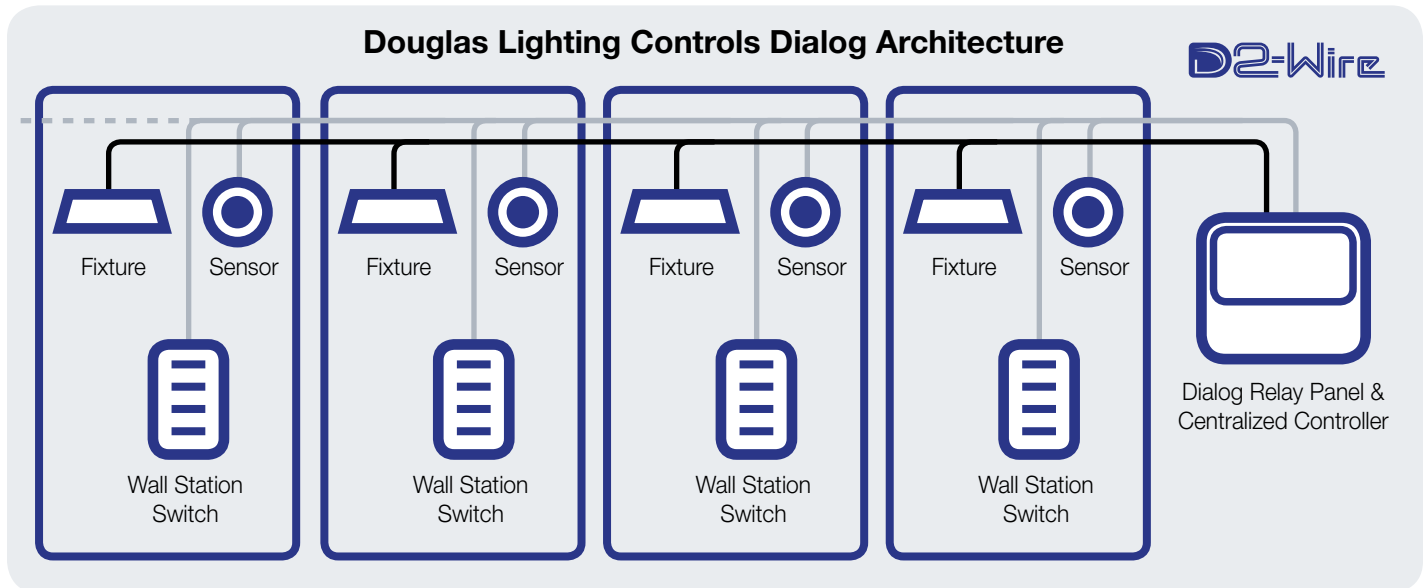
The Dialog wall switch is an integral part of a Dialog centralized control system as it provides user input into the system via a simple push button interface. The Dialog switch devices come in 1, 2, 3, 4, and 8 button modules to provide flexible and attractive solutions for the switch of your lighting control system. The switch modules only require connection to the Dialog 2-wire (18/2 AWG) low voltage, non-polarized, power and data bus.

The switch has an LED indicator beside each button to show the real-time status of the targeted output or group. ORANGE LED indicates ON and BLUE LED indicates OFF. Each switch is programmable from a handheld IR programmer (provided by Douglas), therefore switches do not need to be removed, or disassembled when programming is required. Switches can be programmed for ON, OFF, TOGGLE, DIM and PRESET control.

The Dialog Switch Stations are part of the Dialog System which includes relay panels, control cards and peripheral devices (Occupancy Sensor, Daylight Sensor, Wall Station Switches). Systems are built project specific, then factory programmed and tested before shipping to site. On-site support for commissioning is provided as needed.

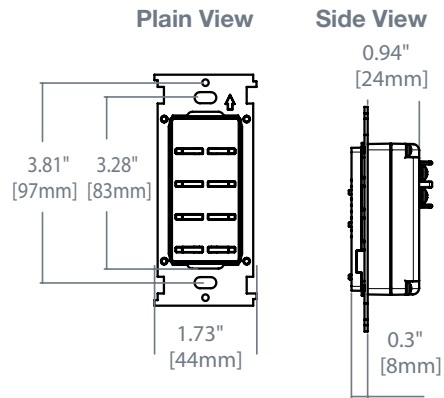
Typical Applications: Where user input is required for system control.

PART NUMBER	DESCRIPTION
WSW-3511	Data line switch – 1 gang, 1 button (1x1), infrared set; Signal draw: 3mA
WSW-3512	Data line switch – 1 gang, 2 button (2x1), infrared set; Signal draw: 3mA
WSW-3513	Data line switch – 1 gang, 3 button (3x1), infrared set; Signal draw: 3mA
WSW-3514	Data line switch – 1 gang, 4 button (4x1), infrared set; Signal draw: 3mA
WSW-3528	Data line switch – 1 gang, 8 button (4x2), infrared set; Signal draw: 3mA



WIRING A DIALOG SWITCH

- Connect switches to the 2-conductor data line.
- Connection is low voltage, non-polarized t-tap capable.
- The maximum one way measurement from the controller to the switch device is 1000'. Should longer lengths be needed, use WAM-3190 amplifier.
- The Dialog system switches draw 24VDC power from the 2-conductor data line. Each switch uses 3mA of power. There is 500mA of total power available from the Dialog line for all devices. If power is insufficient, use WAM-3190 amplifiers for additional 500mA



INSTALLATION

- Connect the 2-wire Dialog data line to the back of each switch module and install modules in standard wall boxes.
- Each switch module must have an output address or group code assigned.
- A Dialog system local network can have a total of 252 output and 127 group codes. A group code can host one, some, or all of the output addresses. There is no limit to the number of switches that can be set to the same address or group code.
- A switch targeted at a group code requires the group code to have an existing program to function
- A switch targeted directly to an output address requires no extra programming.

PROGRAMMING

- A push button switch can send standard action commands:
 - o ON, OFF, TOGGLE
 - o Dim UP/DOWN (output or groups)
 - o Presets 1 to 8 (groups only)
- In addition to standard action commands, presets can also set operating modes. Modes determine how input devices and output of the group behave.

Example 1: quiet time switch: disable motion sensor for 1 hour
 Example 2: during off hours, switch activates group for 30-mins
 Example 3: for a period of time, lock output to a defined level

POWER	• Dialog 2-wire (18/2 AWG) low voltage, non-polarized, power and data bus
COMMUNICATION	• Dialog 2-wire (18/2 AWG) low voltage, non-polarized, power and data bus
CURRENT DRAW	• 3mA
ENVIRONMENT	• Indoors, stationary, non-vibrating, non-corrosive atmosphere & non-condensing humidity • Ambient operating temperature: +5°F to +120°F (-15°C to +50°C)
WARRANTY	• 1 year warranty

* Application and Performance Specification Information Subject to Change without Notification

Rev. 8/2/17